

THIS DRAWING IS UNPUBLISHED.

RELEASED FOR PUBLICATION

ALL RIGHTS RESERVED.

© COPYRIGHT - By -

LOC
J

DIST
-

REVISIONS

変更

DESCRIPTION

DATE

DWN

APVD

P

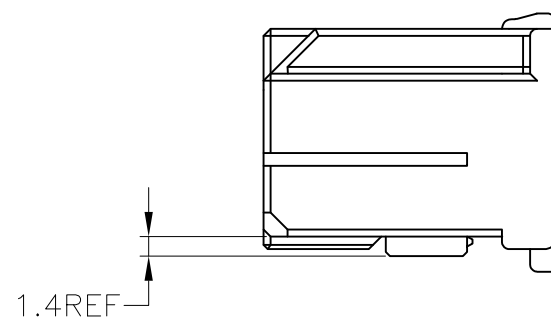
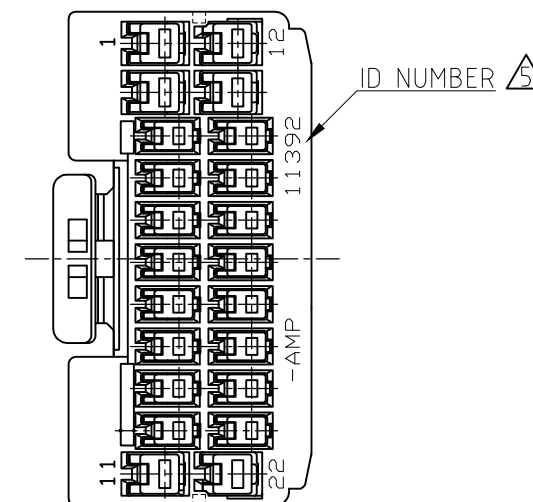
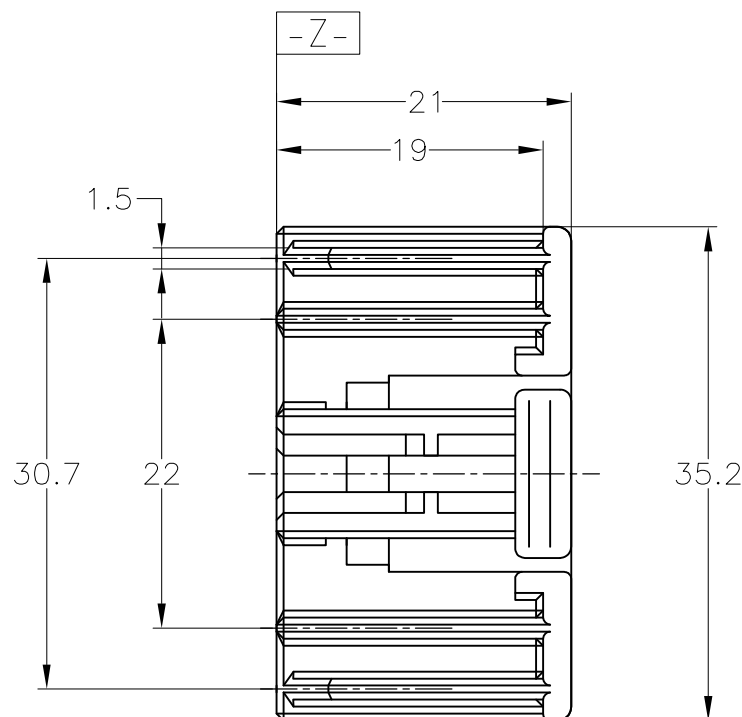
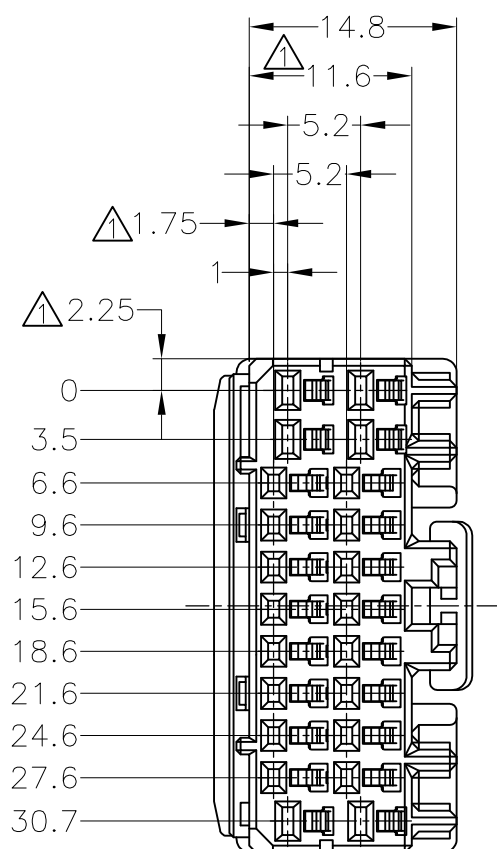
LTR

REVISD PER ECO-11-005140

28MAR11

RK

HMR



- ① MUST BE KEPT BETWEEN -Z- AND 2mm
- 2. THE MATING CAP HOUSING PART NUMBER ; 178764
- 3. APPLIED CONTACT PART NUMBER ; 175265, 175266, 175268, 175269
- 4. APPLICABLE PRODUCT SPEC. NUMBER; 108-5342
- ⑤ RETAINER COLOR; ALL WHITE

- ① -Z- 面より 2mmの範囲で測定
- 2. 嵌合相手ハウジング型番 : 178764
- 3. 内装するリセプタクルコンタクト型番 : 175265, 175266, 175268, 175269
- 4. 適用製品規格番号 : 108-5342
- ⑤ リテーナーは全て白色

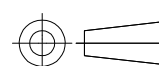
淡灰 (LIGHT GRAY)	6-917989-6
黄 (YELLOW)	917989-7
灰 (DARK GRAY)	917989-6
青 (BLUE)	917989-5
SEE DRAWING 917989-4	917989-4
黒 (BLACK)	917989-2
白 (WHITE)	917989-1
⑤ 色 (COLOR)	PART NUMBER

TOLERANCES UNLESS OTHERWISE SPECIFIED:	
一般公差	
10 ≥	± 0.2
30 ≥ > 10	± 0.25
100 ≥ > 30	± 0.3
ANGLE	± 3°

THIS DRAWING IS A CONTROLLED DOCUMENT.

DIMENSIONS: 単位: 耗 mm

TOLERANCES UNLESS OTHERWISE SPECIFIED: 一般公差



0 PLC	± -
1 PLC	± -
2 PLC	± -
3 PLC	± -
4 PLC	± -
ANGLES	± -

MATERIAL 材料 PBT

FINISH 仕上 -

DWN M.SUGAWARA 25MAY06

CHK T.SHINOHARA 25MAY06

APVD K.BETSUI 25MAY06

PRODUCT SPEC 製品規格

SEE NOTE

APPLICATION SPEC 取付適用規格

WEIGHT -

NAME 名称



040/070 HYBRID I/O CONNECTOR MK-II
22POSITION PLUG HOUSING

SIZE

CAGE CODE

DRAWING NO 番号

RESTRICTED TO

A3 00779

C-917989

CUSTOMER DRAWING

SCALE 尺度 2:1

SHEET 1 OF 1

REV A2